

## ROBUST & RELIABLE ■ ■ ■

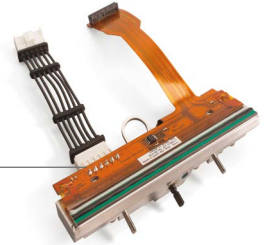
Robust design with no wear parts requiring zero preventive maintenance

### EXTENDED WARRANTIES

Best in industry 18 month standard warranty, 60 months available

### DURABLE PRINTHEAD

Unrivalled 12 month printhead warranty



## SMART & EFFICIENT ■ ■ ■

Consistent high quality printing of full nutritional labels, ingredient or multi-pack applications

### WIDE PRINT AREA

128 mm x 150 mm maximum to print large messages



### MULTI-CODE CAPABILITY

Designed to print multiple codes on multi-lane packaging lines

### DEAD DOT DETECTION

Enables detection of damaged resistors which impact print quality

### IMAGE ADJUSTMENT

Allows the image to be adjusted on the user interface without the need of a laptop

## SIMPLE & VERSATILE ■ ■ ■

Suitable for a wide variety of applications

### LONGER RIBBON LENGTH

900 meter ribbon in select grades for fewer changeovers and improved uptime

### EASY TO USE

Intuitive touch screen with USB connectivity for fast code and ingredient changes



## LINE SPEED/RESOLUTION

- ▶ Print speed: Up to 700 mm/s
- ▶ Print area: – Intermittent: 128 mm x 75 mm  
Continuous: 128 mm x 150 mm

## PRINT FEATURES

- ▶ Automatic printhead setup
- ▶ Dead-dot detection and image adjustment
- ▶ Combined intermittent and continuous printer
- ▶ Easily changes from left to right hand with no additional parts
- ▶ Average gap between prints 0.5 mm
- ▶ Automatic shift codes and serial numbers
- ▶ Multiple variable user input fields with alpha-numeric texts
- ▶ Ribbon saving modes: radial ribbon save, digital ribbon save, interlaced, multi-print triggers and negative ribbon advance
- ▶ Print specifications: full true type font support, including non-Roman characters and symbols. Printing of real-time clock, dates and auto updating best before dates.
- ▶ Barcodes: ITF, Code 39, Code 128, EAN 128, EAN 8, EAN 13, UPC A, UPC E, RSS linear, PDF 417, ID Matrix, QR and Composite RSS barcodes supported

## SOFTWARE

- ▶ Included free of charge, CoLOS® Create 5.3 for design of simple messages: also compatible with CoLOS® Create Professional and CoLOS® Enterprise

## OPTIONS/ACCESSORIES

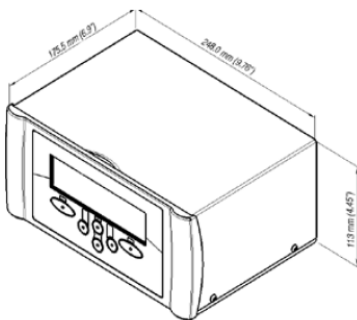
- ▶ Web UI for OEM integration
- ▶ Mounting bracket, Encoders

## OPERATIONS

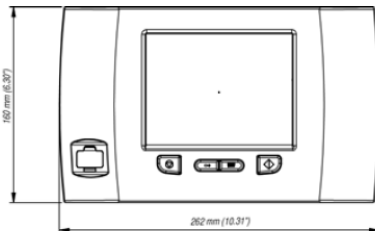
- ▶ User interface: Color LCD touch screen for message selection, message adjustment, variable data entry, diagnostic and system setup
- ▶ Monochromatic user interface also available
- ▶ WYSIWYG print preview of printed message, real-time display of remaining print capacity expressed in hours and number of prints
- ▶ Full diagnostics including printhead statistics
- ▶ Robust LED status indicators on the printer
- ▶ Webbing diagram for fast ribbon changes
- ▶ Hardware interface: Inputs: "Print go" and 1 configurable input, Outputs: Fault, warning and 2 configurable outputs
- ▶ S/W interface: USB for downloading images, settings and data files, RS232, Ethernet communications standard, Communications protocols for PC's, PLC and packaging machines, including full remote control web server

## OTHER CHARACTERISTICS

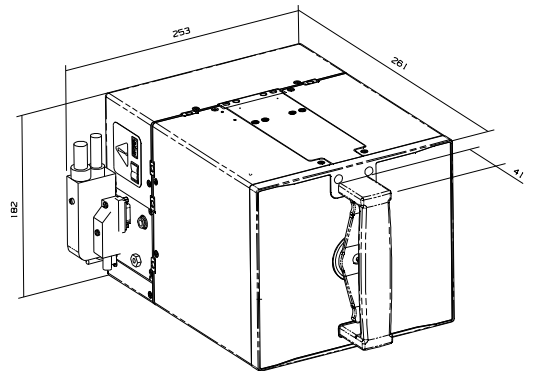
- ▶ Supplies: Thermal transfer ribbon available in a variety of grades and colors
- ▶ Maximum ribbon length: up to 900 m, Minimum ribbon width: 55 mm, Maximum ribbon width 130 mm
- ▶ Weight: Printer: 10.2kg, Colour controller: 4.8kg, Mono controller: 4.0 kg
- ▶ Electrical power supply: 90 – 264 V with automatic switching: frequency 47/63 Hz; power 150 VA
- ▶ Air consumption: typically 0.47 ml/print
- ▶ Operating temperature range: 0 to 40° C
- ▶ Humidity: 10% to 90% non-condensing



Monochrome Controller



Colour Controller



We reserve the right to amend the design and/or specifications of our products without notice.

HTT merkintähuolto Oy  
Kauppakuja 1  
14200 Turenki  
p. 03 618 9603



markem·imaje

A DOVER COMPANY

To learn more, visit [www.merkintahuolto.fi](http://www.merkintahuolto.fi)